

TORQUE HINGE

STAINLESS
304
STEEL

HG-TS



Features

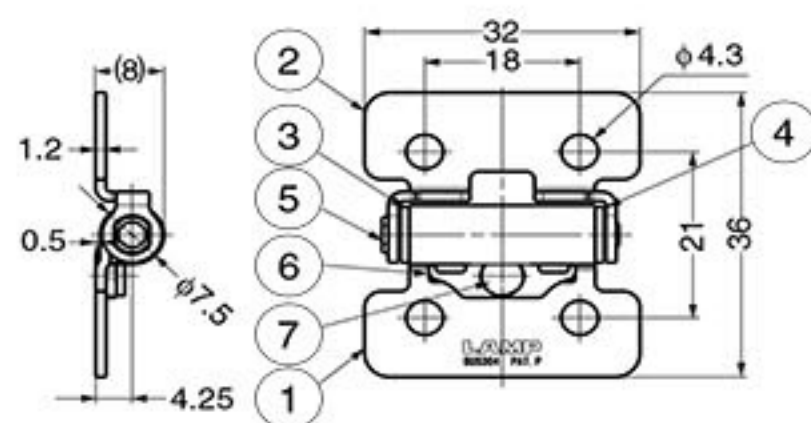
- Hinge has free-stop between 0 - 180°: It holds its position at any desired angle
- Grease free
- Successfully passed 20,000 open/close cycles in a private test.
- Simplified internal structure
- Initial torque may vary -20 % - +40 %.

Remarks

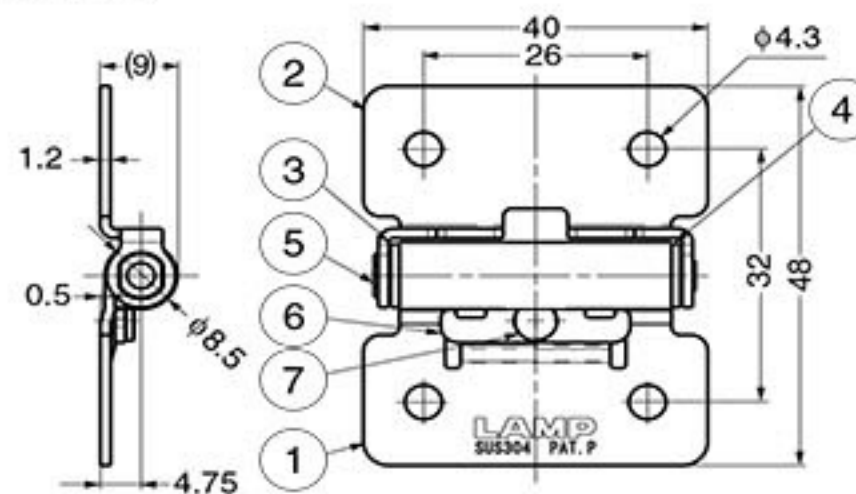
- Operating temperature : -10° - 50°
- Operating humidity : 90 % RH or less
- Recommended for use in pairs.

HINGES

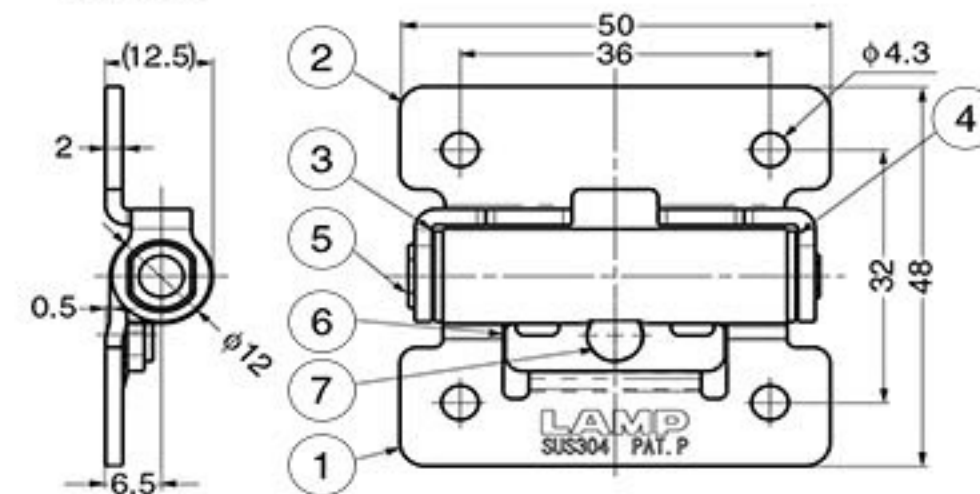
HG-TS03



HG-TS07



HG-TS15



Item Code	Item Name	Torque Moment (Per pair)	Weight	Box	Carton
170-018-501	HG-TS03	0.35 ^{+40%} _{-20%} N·m	3.6 ^{+40%} _{-20%} kgf·cm	15.0 g	50 pcs / 500 pcs
170-018-502	HG-TS07	0.7 ^{+40%} _{-20%} N·m	7.1 ^{+40%} _{-20%} kgf·cm	27.5 g	50 pcs / 500 pcs
170-018-503	HG-TS15	1.5 ^{+40%} _{-20%} N·m	15.3 ^{+40%} _{-20%} kgf·cm	64.1 g	20 pcs / 200 pcs

No.	Part Name	Material	Finish/Colour
①	Body	Stainless Steel (SUS304)	Mirror
②	Base	Stainless Steel (SUS304)	Mirror
③	Fixing Tube L	Polyacetal (POM)	Black
④	Fixing Tube R	Polyacetal (POM)	Black
⑤	Shaft	Stainless Steel (SUS303)	-
⑥	Press Washer	Stainless Steel (SUS304)	Mirror
⑦	Pin	Stainless Steel	-

TORQUE H